

## Slot Toaster

The slot toaster, the one piece of foodservice equipment that seems to end up in most commercial foodservice kitchens. thor has two heavy duty toaster models 4 slot and 6 slot and both come with a timer and commercial grade elements

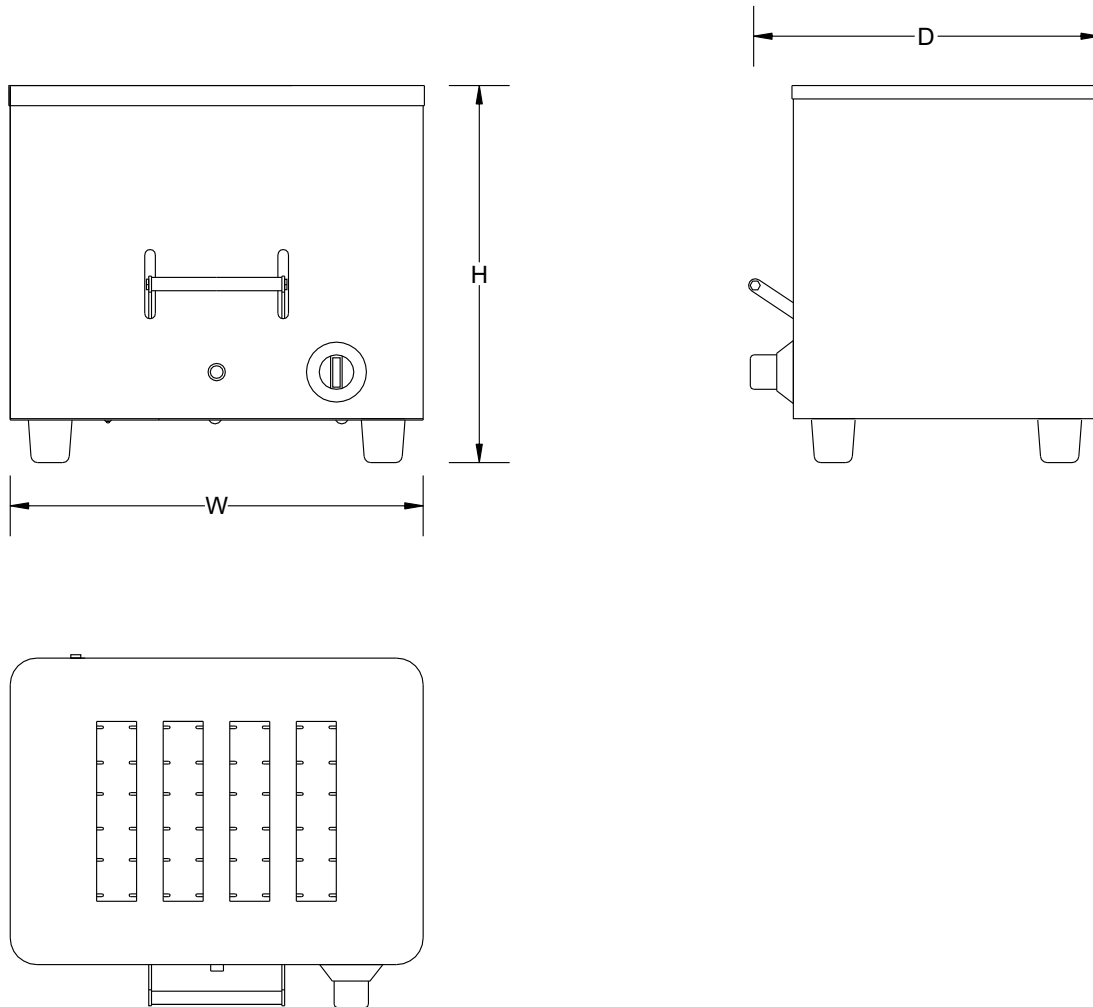


### Standard Features:

- Stainless Steel construction
- Metal Elements
- Timer
- Non slip rubber feet
- Easy Remove / Clean Stainless Steel Crumb Trays
- Pass Through operation/return operation



## Slot Toaster



Product Code	Capacity/Cooking Area		Voltage	Power	Amps	Product Overall Dimension (mm/inch)		
	mm	inch				Width	Depth	Height
SP02410	4x135x30x150	4x5.3x1.9x5.9	220-240V	1100W	4.8A	310/12.2	260/10.2	280/11
SP02420	6x135x30x150	6x5.3x1.9x5.9	220-240V	1550W	6.7A	410/16.1	260/10.2	280/11

The dimensions given are reference dimensions only. Due to a continuous program of product improvement, United Foodservice Equipment reserves the right to make product changes without notice.

This document contains information that is confidential and proprietary to United Foodservice Equipment and shall not be reproduced or transferred to other documents or disclosed to others or used for any purpose other than that for which it was obtained without the expressed written consent of United Foodservice Equipment.

**United Foodservice Equipment Limited**  
 23rd Floor, Suite C, EGL Tower  
 83 Hung To Road, Kwun Tong, Kowloon  
 t: +852 8120 7818  
 f: +852 3010 3430  
 e: [sales@unitedfoodserviceequipment.com](mailto:sales@unitedfoodserviceequipment.com)  
[www.unitedfoodserviceequipment.com](http://www.unitedfoodserviceequipment.com)